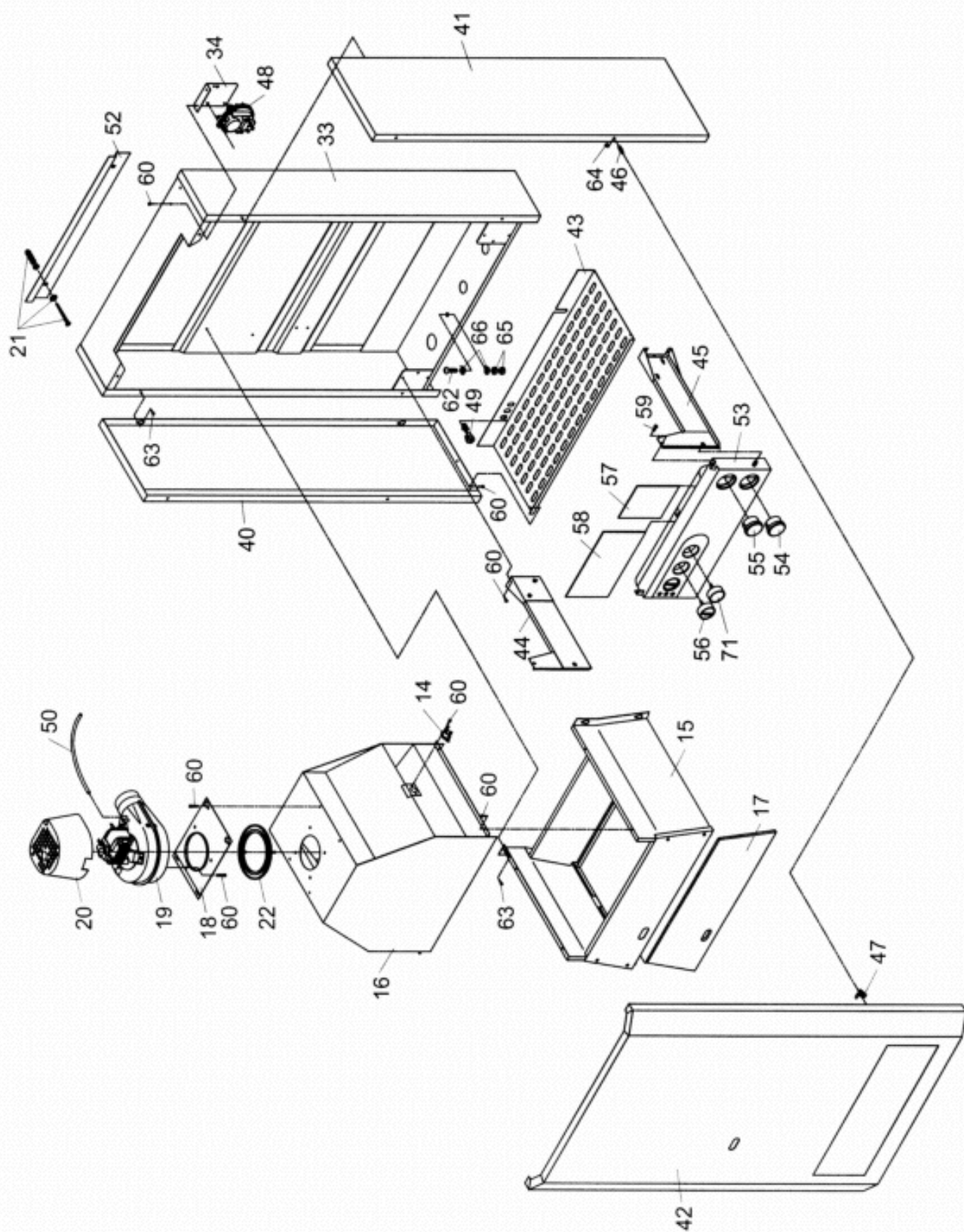


THERM DUO 50T - obr.01



THERM DUO 50T - obr.02

